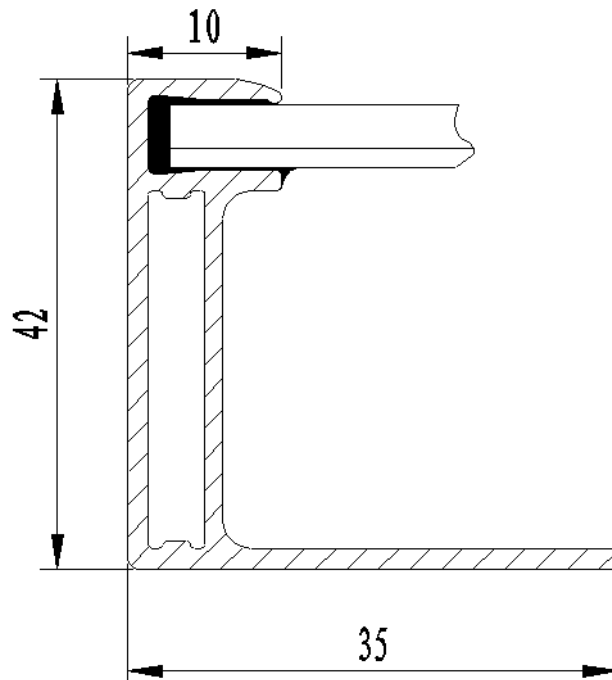
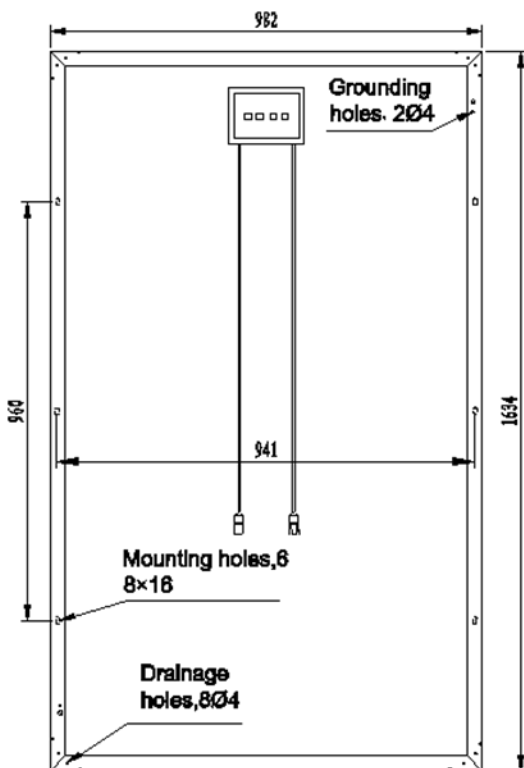
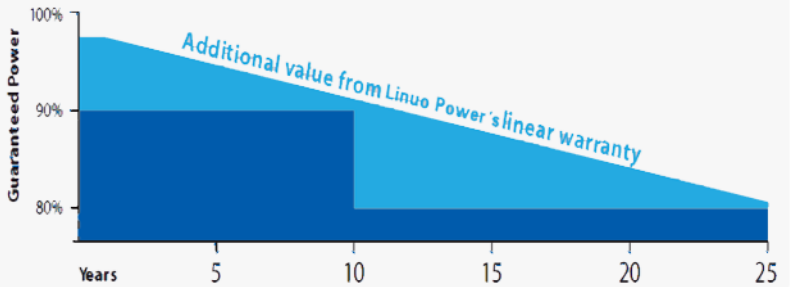


## LN240(30)P-xxx(230-250W poly)

### Why linuo modules?

- **(0,+5W)** 100% plus tolerance
- **3** times of 100% EL
- **25** years Linear performance warranty
- **25** years Irrevocable warranty insurance
- **5400**pa snow load and **2400**pa wind load
- High performance in low solar irradiation.
- Resistance to ammonia & salt mist corrosion



## Electrical data

Pmax (W)	Uoc (V)	Isc (A)	Umpp (V)	Impp (A)	FF	Module efficiency	Max system voltage	Max series fuse
230	36.39	8.22	30.31	7.59	76.908%	14.33%		
235	36.82	8.27	30.68	7.66	77.178%	14.65%		
240	37.25	8.32	31.05	7.73	77.445%	14.96%	1000V	15A
245	37.79	8.35	31.42	7.8	77.667%	15.27%		
250	38.26	8.39	31.77	7.87	77.891%	15.58%		

## Temperature rating

temperature cycling range	-40°C to +85°C
norminal operating cell temperature	48 °C
temperature coefficient of Isc:	0.034%/°C
temperature coefficient of Voc	-0.326%/°C
temperature coefficient of Pmax	-0.467%/°C

## Mechanical data

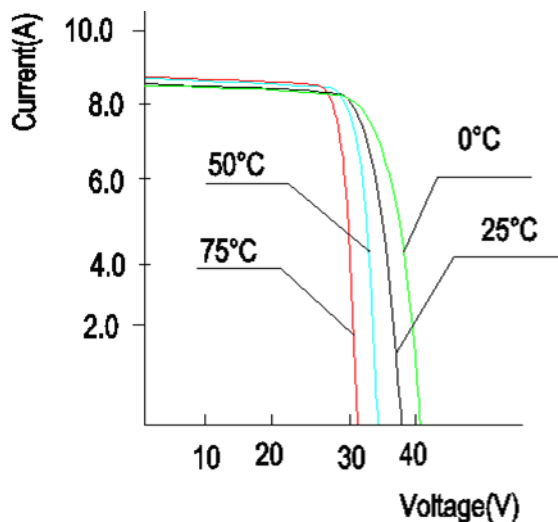
module dimension:	1634*982*42mm
weight:	20.5kg
mechanical load:	5400 pascals
number of cells:	60pcs
thickness of glass:	3.2mm

## Warranty:

10 years warranty on materials workmanship and module defect.

25 years performance warranty( 10 years at 90%, 25 years at 80%)

I-V curve



The I-V, power curve of 245W poly module

